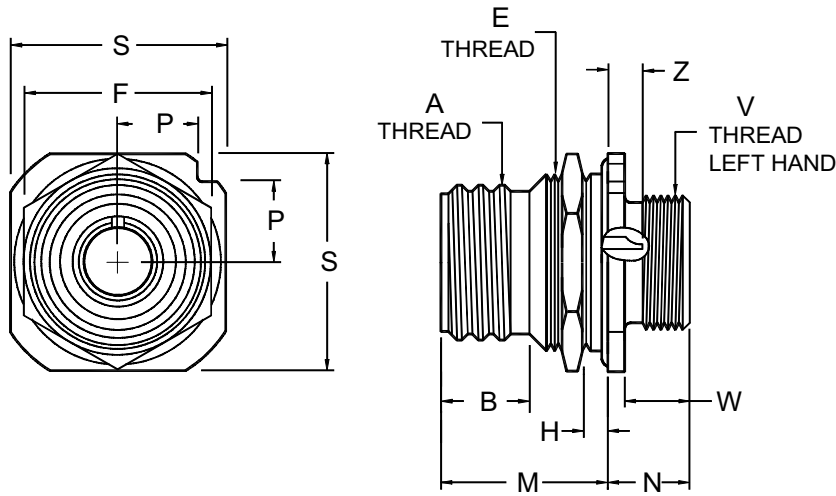


# SWL SERIES SCP1073 JAM NUT RECEPTACLE



PART NUMBER	SHELL SIZE	A THREAD CLASS 2A-DS	B ±.010 [±0.25]	E THREAD CLASS 2A-RH	F HEX ±.010 [±0.25]	H PANEL THICKNESS		M ±.010 [±0.25]	N ±.015 [±0.38]	P ±.010 [±0.25]	S ±.010 [±0.25]	V THREAD CLASS 2A-LH	W ±.010 [±0.25]	Z MAX.
						MIN.	MAX.							
SCP107310-*	10S	.625-0.05P-0.1L	.385 [9.78]	.6875-24UNEF	.875 [22.23]	.094 [2.39]	.227 [5.77]	.844 [21.44]	.469 [11.91]	.375 [9.52]	1.062 [26.97]	.500-28UNEF	.344 [8.74]	.295 [7.49]
SCP107312-*	12S	.750-0.1P-0.2L	.385 [9.78]	.875-20UNEF	1.062 [26.97]	.094 [2.39]	.200 [5.08]	.906 [23.01]	.469 [11.91]	.442 [11.23]	1.250 [31.75]	.625-24UNEF	.344 [8.74]	.232 [5.89]
SCP107313-*	12	.750-0.1P-0.2L	.585 [14.86]	.875-20UNEF	1.062 [26.97]	.094 [2.39]	.188 [4.78]	1.094 [27.79]	.641 [16.28]	.442 [11.23]	1.250 [31.75]	.625-24UNEF	.516 [13.11]	.483 [12.27]
SCP107314-*	14S	.875-0.1P-0.2L	.385 [9.78]	1.000-20UNEF	1.250 [31.75]	.094 [2.39]	.200 [5.08]	.906 [23.01]	.469 [11.91]	.486 [12.34]	1.376 [34.95]	.750-20UNEF	.344 [8.74]	.232 [5.89]
SCP107315-*	14	.875-0.1P-0.2L	.585 [14.86]	1.000-20UNEF	1.250 [31.75]	.094 [2.39]	.188 [4.78]	1.094 [27.79]	.641 [16.28]	.486 [12.34]	1.376 [34.95]	.750-20UNEF	.516 [13.11]	.483 [12.27]
SCP107316-*	16S	1.000-0.1P-0.2L	.385 [9.78]	1.125-18UNEF	1.312 [33.32]	.094 [2.39]	.200 [5.08]	.906 [23.01]	.469 [11.91]	.530 [13.46]	1.500 [38.10]	.875-20UNEF	.344 [8.74]	.232 [5.89]
SCP107317-*	16	1.000-0.1P-0.2L	.585 [14.86]	1.125-18UNEF	1.312 [33.32]	.094 [2.39]	.188 [4.78]	1.094 [27.79]	.641 [16.28]	.530 [13.46]	1.500 [38.10]	.875-20UNEF	.516 [13.11]	.483 [12.27]
SCP107318-*	18	1.125-0.1P-0.2L	.585 [14.86]	1.250-18UNEF	1.500 [38.10]	.094 [2.39]	.203 [5.16]	1.109 [28.17]	.704 [17.88]	.623 [15.82]	1.750 [44.45]	1.000-20UNEF	.516 [13.11]	.467 [11.86]
SCP107320-*	20	1.250-0.1P-0.2L	.585 [14.86]	1.375-18UNEF	1.562 [39.67]	.094 [2.39]	.203 [5.16]	1.109 [28.17]	.704 [17.88]	.663 [16.84]	1.875 [47.63]	1.125-18UNEF	.516 [13.11]	.467 [11.86]
SCP107322-*	22	1.375-0.1P-0.2L	.585 [14.86]	1.500-18UNEF	1.750 [44.45]	.094 [2.39]	.203 [5.16]	1.109 [28.17]	.704 [17.88]	.707 [17.96]	2.000 [50.80]	1.250-18UNEF	.516 [13.11]	.467 [11.86]
SCP107324-*	24	1.500-0.1P-0.2L	.585 [14.86]	1.625-18UNEF	1.875 [47.62]	.094 [2.39]	.265 [6.73]	1.172 [29.77]	.704 [17.88]	.751 [19.08]	2.125 [53.98]	1.375-18UNEF	.516 [13.11]	.404 [10.26]
SCP107328-*	28	1.750-0.1P-0.2L	.585 [14.86]	1.875-16UN	2.125 [53.97]	.094 [2.39]	.265 [6.73]	1.172 [29.77]	.704 [17.88]	.840 [21.34]	2.375 [60.33]	1.625-18UNEF	.516 [13.11]	.404 [10.26]
SCP107332-*	32	2.000-0.1P-0.2L	.585 [14.86]	2.125-16UN	2.375 [60.32]	.094 [2.39]	.203 [5.16]	1.172 [29.77]	.735 [18.67]	.928 [23.57]	2.625 [66.68]	1.875-16UN	.516 [13.11]	.404 [10.26]
SCP107336-*	36	2.250-0.1P-0.2L	.585 [14.86]	2.375-16UN	2.625 [66.67]	.094 [2.39]	.203 [5.16]	1.172 [29.77]	.735 [18.67]	1.017 [25.83]	2.875 [73.03]	2.0625-16UNS	.516 [13.11]	.404 [10.26]
SCP107340-*	40	2.500-0.1P-0.2L	.585 [14.86]	2.625-16UN	2.875 [73.02]	.094 [2.39]	.203 [5.16]	1.172 [29.77]	.735 [18.67]	1.104 [28.04]	3.125 [79.38]	2.3125-16UNS	.516 [13.11]	.404 [10.26]
SCP107344-*	44	2.750-0.1P-0.2L	.585 [14.86]	2.875-16UN	3.125 [79.37]	.094 [2.39]	.265 [6.73]	1.234 [31.34]	.922 [23.42]	1.213 [30.81]	3.406 [86.51]	2.625-16UN	.703 [17.86]	.593 [15.06]
SCP107348-*	48	3.000-0.1P-0.2L	.585 [14.86]	3.125-16UN	3.375 [85.72]	.094 [2.39]	.265 [6.73]	1.234 [31.34]	.922 [23.42]	1.299 [32.99]	3.656 [92.86]	2.875-16UN	.703 [17.86]	.593 [15.06]

DIMENSIONS IN BRACKETS [ ] ARE IN MILLIMETERS.

SCP1073

SWL SERIES